



SPECIAL FEATURES

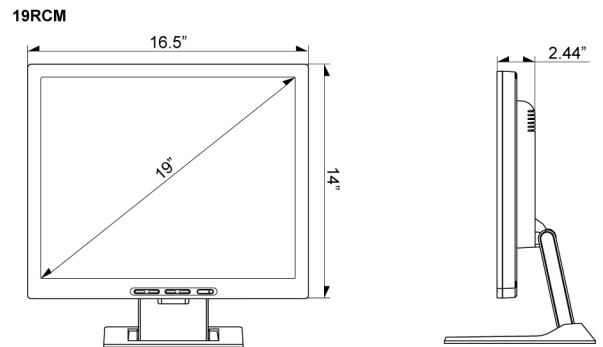
- Entry Level Price Point
- Video 1 In / 1 Out (BNC Type), S-Video 1 In / 1 Out, VGA 1 In
Audio 2 In, PC Stereo 1 In
- Multi-Language Support
- 5ms, 250Nits, 800:1 Contrast Ratio
- Mounting Options: Wall, Ceiling and Rack

SPECIFICATIONS

		19RCM	
Display	Screen Size	19 Inch	
	Max. Resolution	1280 x 1024 @ 60Hz	
	Pixel Pitch	0.294 x 0.294mm	
	Brightness	250cd/m ²	
	Contrast Ratio	800 : 1	
	Aspect Ratio	4 : 3	
	Viewing Angle (H/V)	160° / 160°	
	Display Color	16.7 Million	
	Response Time	< 5ms	
	Video System	NTSC / PAL	
Interface	Video In / Out (BNC Type)	2 / 2	
	S-Video In / Out	1 / 1	
	VGA In (15Pin D-Sub)	1	
	Audio In (RCA Type)	2 (L + R)	
	PC Stereo In	1	
Audio	Built-In Speakers	Optional	
	Volume control (on OSD)	External speaker	
Features	Filter Type	2D Comb Filter	
	Multi Language	English, French, Deutsch, Spanish, Italiano, Japanes, Korean	
Dimension	Outline Dimension (W x H x D)	16.5" x 14.0" x 2.44"	
	Net. Weight	5.1Kg (11.24lbs)	
Cabinet	Color	Black	
	Base Stand	Yes	
	Tilt Function	Yes	
Warranty	Part/Labor	2year / 2year	
	MTBF (Approx.)	50,000 Hours	
Regulations	RoHs, UL , CB, FCC(A), CE-Emc(LVD)		
	Consumption: < On	< 40W	
Power	Electrical Ratings	AC100 ~ 240V(50/60Hz)	
		DC12V / 3.5A	
Circumstance	Operating Temperature	0 ~ 50°C / 32 ~ 122°F	
	Storage Temperature	-20 ~ 60°C / -4 ~ 140°F	
Mounts	VESA™ Mount Size	100 x 100mm (BS M4 x 10mm Screw)	
	Wall	WB-5, WB-10, WB-30, WB-31	
	Ceiling	CMK-01	
	Rack	RMK-08	

*Design and specifications are subject to change without notice

DIMENSIONS



TILT FUNCTION



▲ Base stand is able to tilt and fold as describe above